

1.5mm UVC photodiode

Version: 3.1 17-06-01

Model: LSGPD-UVC1.5

Features:

- Blindness to visible light without optical filter
- Wavelength 210-280nm
- High reliability, low dark current
- Top illumination planar PD
- Active diameter 1.5mm
- Hermetic TO46 Can with UV flat-window cap with receptacle



0



CWFC

Applications:

- UV sensors
- Pure UV-C Monitoring,
- Sterilization Lamp Monitoring
- Environmental technology
- medical applications
- industrial sensors
- inspecting and controlling of UV radiation



CWST



CWSC



CWLC



2JKFC



4JKFC

Absolute maximum ratings:

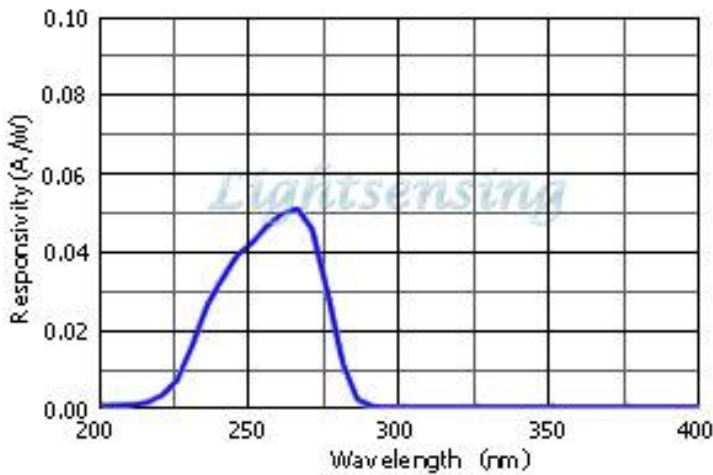
parameter	symbol	value	unit
Operating temperature	Top	-30~+80	°C
Storage temperature	Tstg	-40~+90	°C
Forward current	I _f	1	mA
Reverse voltage	V _r	2	V
Soldering temperature(time)	T _s (10s)	260	°C

Electrical and optical characteristics:(T=25°C)

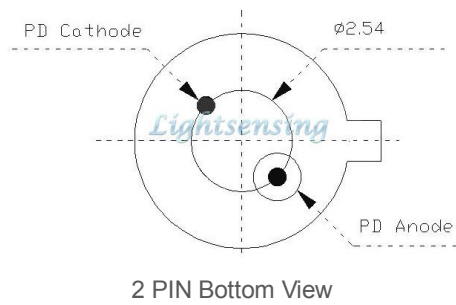
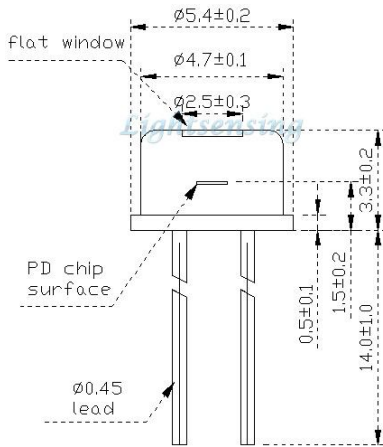
parameter	symbol	unit	Value (typ.)
Active diameter		mm	1.5x1.5
Spectral range	λ	nm	210-280(10% R _p)
Responsivity	Re (V _R =0V,λ=254nm)	mA/mW	0.05
Dark current	I _D (V _R =0.5V)	pA	10
Reverse Breakdown voltage	V _{BR} (I _R =10uA)	V	3
Junction capacitance	C _j (f=1MHz, V _R =0V)	pF	60
Saturated Optical Power	Ps(V _R =0.5V)	mW	8
Operating voltage	V _R	V	0-0.5
package	Hermetic TO46 Can with UV flat-window cap or with receptacle		

NOTICE: The above product specifications are subject to change without notice.

The typical Responsivity curve



The package and Lead



Order information

LSGPD-UVC1.5-2P-X

X=0	TO-46 Can with UV flat window cap
X=CWFC	TO-46 Can with replaceable receptacle with FC connector
X=CWSC	TO-46 Can with replaceable receptacle with SC connector
X=CWLC	TO-46 Can with replaceable receptacle with LC connector
X=CWST	TO-46 Can with replaceable receptacle with ST connector
X=2JKFC	TO-46 Can with fixed receptacle with FC connector and 2 pieces of fix holes
X=4JKFC	TO-46 Can with fixed receptacle with FC connector and 4 pieces of fix holes
X=Other	By customer's request

The cautions

- 1: The above product specifications are subject to change without notice.
- 2: The suitable ESD protection is required in storage, transportation and using