

**405nm 3mW FP SM coaxial laser diode** Version: 3.1 17-03-01

Model: LSFLD405-3

**Features:**

- MQW F-P LD
- Single mode
- Built-in monitor PD
- Metal can type hermetic
- Low threshold/operate current
- High reliable

**Applications:**

- Optical Sensing
- Industrial automatic control
- Science analysis and experiment
- Test and Measurement Equipment

**Absolute maximum ratings:**

parameter	symbol	value	unit
Operating temperature	Top	0~+50	°C
Storage temperature	Tstg	-40~+85	°C
Reverse voltage	V <sub>r</sub>	2	V
Soldering temperature/time		260/10	°C/S

**Electrical and optical characteristics:(T=25°C)**

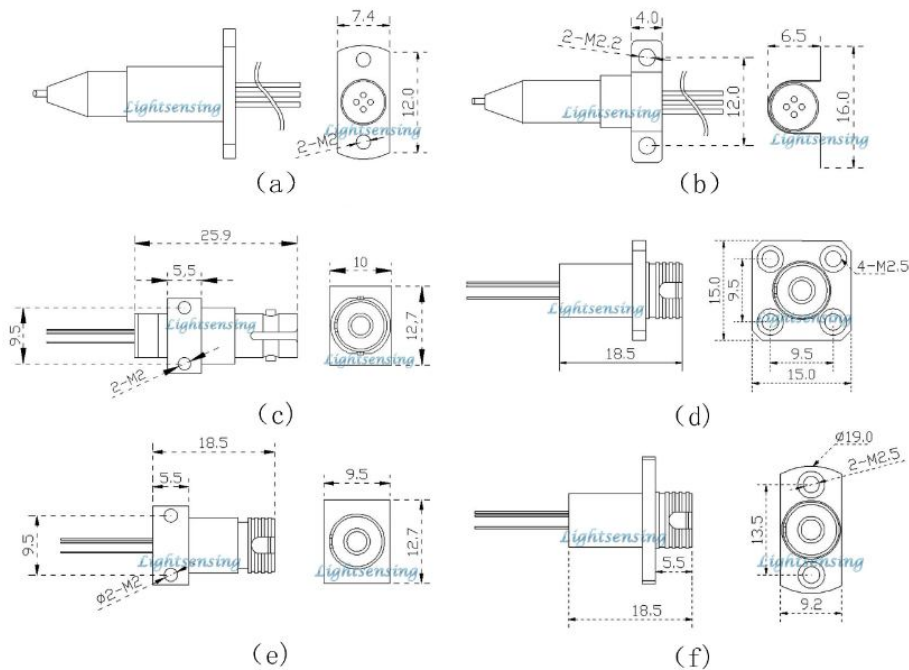
parameter	symbol	Min.	Typ.	Max.	unit
Center wavelength	$\lambda$	395	405	415	nm
Threshold Current	I <sub>th</sub>		26	50	mA
Operating Current	I <sub>op</sub>		35	60	mA
Operating Voltage	V <sub>op</sub>		4.8	5.6	V
Output power(from 9um SM fiber)*1	P		3		mW
Monitoring Output Current	I <sub>m</sub>	0.1	0.2	0.5	mA
package	Hermetic TO18 Can with fiber coupling or receptacle				

\*1 Note: For 62.5um MM fiber, the output power can double.

For 4um SM fiber (NA =0.13), the output power can reduce about 50%

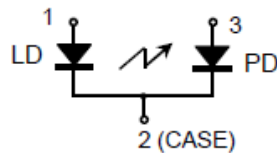
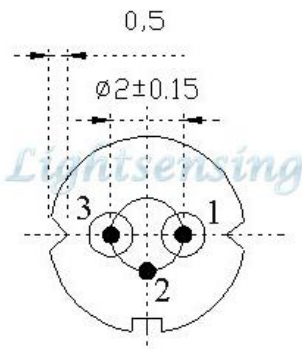
NOTE: The above product specifications are subject to change without notice.

## The package Dimensions



## PIN description

Bottom View



pin	function
1	LD Anode
2	LD Cathode, PD cathode, case
3	PD anode

## Order information

LSFLD405-X-X

mW	X=a	a package with 4um SM, 9um SM or MM Fiber coupling with FC/UPC or FC/APC connector
X=3	X=b	b package with 4um SM, 9um SM or MM Fiber coupling with FC/UPC or FC/APC connector
X=other	X=cJKST	c package with ST receptacle
	X=dJKFC	d package with FC receptacle
	X=e JKFC	e package with FC receptacle
	X=f JKFC	f package with FC receptacle
	X=Other	By customer's request

## The cautions

- 1: The above product specifications are subject to change without notice.
- 2: The suitable ESD protection is required in storage, transportation and using
- 3: The fiber bending radius no less than 20mm for avoiding fiber damaged ,Be sure the fiber coupling facet is clean before connecting it to opto-circuit.

地址：北京市海淀区苏州街 12 号西屋国际 E 座 1201 邮编：100080

Address: Building E Rm 1201, Westing house, No 12 Suzhou Street,, Haidian District, Beijing 100080, China.

TEL: +86-010-82873449 FAX: +86-010-62557230 Email: [info@lightsensing.com](mailto:info@lightsensing.com) Website: [www.lightsensing.com](http://www.lightsensing.com)