

## 980nm 40mW FP MM coaxial laser diode

Version: 3.1 17-03-01

**Model: LSFLD980M-40**
**Features:**

- MQW F-P LD. multiple mode
- Metal can type hermetic
- Low threshold/operate current
- High reliable

**Applications:**

- Optical Sensing
- Medical instrument
- Industrial automatic control
- Science analysis and experiment
- Test and Measurement Equipment
- Laser range finder


**Absolute maximum ratings:**

parameter	symbol	value	unit
Operating temperature	Top	-10~+60	°C
Storage temperature	Tstg	-40~+85	°C
Laser diode Reverse voltage	V <sub>r</sub>	2	V
Soldering temperature/time		260/10	°C/S

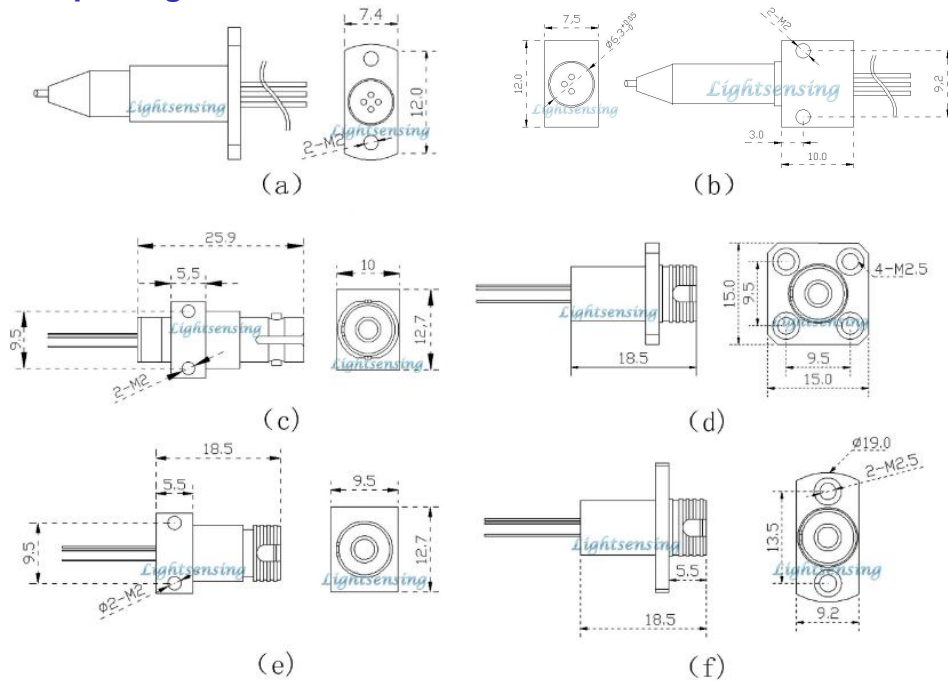
**Electrical and optical characteristics:(T=25°C)**

parameter	symbol	Min.	Typ,	Max.	unit
Center wavelength	$\lambda$	970	980	990	nm
Threshold Current	I <sub>th</sub>		80	120	mA
Operating Current	I <sub>op</sub>		350	450	mA
Spectral width	$\Delta\lambda$		5		nm
Operating Voltage	V <sub>op</sub>		1.5	1.8	V
Light output power(from 62.5um fiber) *1	P <sub>o</sub> (CW)	40			mW
package	Hermetic TO56 Can with fiber coupling or receptacle				

\*1 Note: For 105um MM fiber (NA =0.22), the output power can increase about 50%

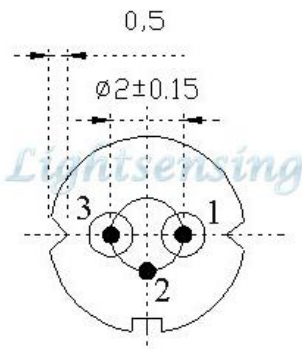
NOTICE: The above product specifications are subject to change without notice.

## The package Dimensions



## PIN description

Bottom View



pin	function
1	LD Cathode
2	LD anode, case
3	

## Order information

LSFLD980M-X-X

mW

X=40

X=other

M=multiple mode

- X=a a package with 62.5 um or 105um MM Fiber coupling with FC/UPC or FC/APC connector
- X=b b package with 62.5 um or 105um MM Fiber coupling with FC/UPC or FC/APC connector
- X=cJKST c package with ST receptacle
- X=dJKFC d package with FC receptacle
- X=e JKFC e package with FC receptacle
- X=f JKFC f package with FC receptacle
- X=Other By customer's request

## The cautions

- 1: The above product specifications are subject to change without notice.
- 2: The suitable ESD protection is required in storage, transportation and using
- 3: The fiber bending radius no less than 20mm for avoiding fiber damaged ,Be sure the fiber coupling facet is clean before connecting it to opto-circuit.