

## 1310nm 10G FP SM coaxial laser diode

Version: 3.1 17-03-01

**Model: LSFLD131-10G**
**Features:**

- MQW-FP, single mode
- Direct modulation rate up to 10Gbps
- High reliable, Built-in monitor PD
- Low threshold/operate current
- Hermetic package TO56 Can with receptacle or with fiber coupling


**Applications:**

- Optical Sensing,
- Optical communication
- Industrial automatic control
- Science analysis and experiment
- Test and Measurement Equipment

**Absolute maximum ratings:**

parameter	symbol	value	unit
Operating temperature	Top	-40~+85	°C
Storage temperature	Tstg	-40~+90	°C
Laser diode Reverse voltage	V <sub>r</sub>	2	V
Soldering temperature/time		260/10	°C/S

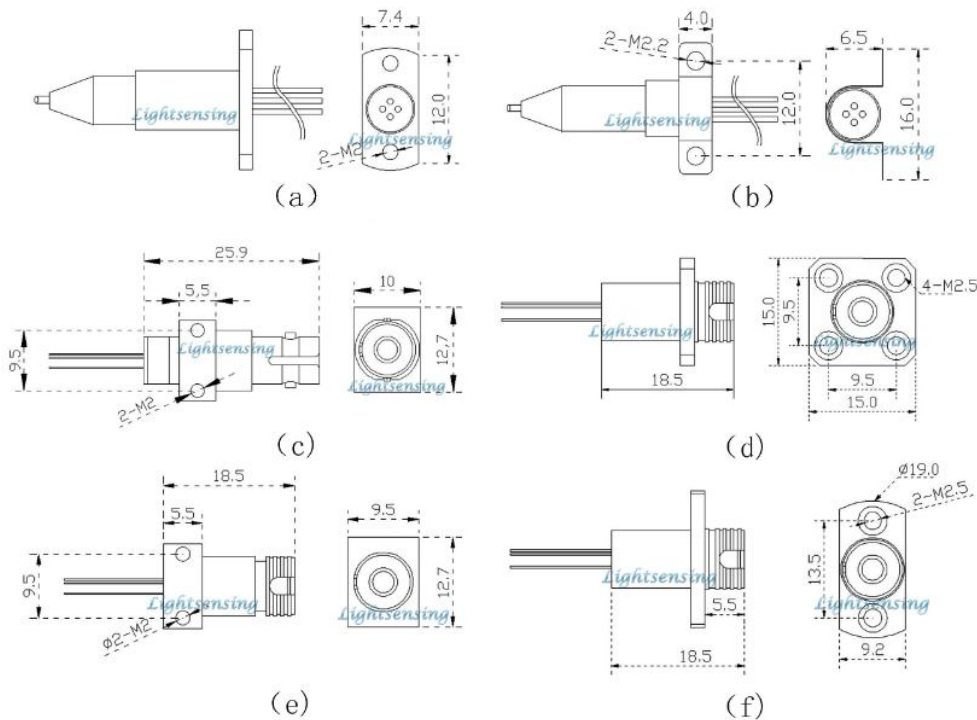
**Electrical and optical characteristics:(T=25°C)**

parameter	symbol	Min.	Typ,	Max.	unit
Center wavelength	$\lambda$	1300	1310	1320	nm
Threshold Current	I <sub>th</sub>		8		mA
Operating Current	I <sub>op</sub>		40	50	mA
Operating Voltage	V <sub>op</sub>		1.3	1.6	V
Output power(from fiber)	P	0.5	1		mW
Spectral width	$\Delta\lambda$		2		nm
Wavelength/Temp. Coefficient	$\Delta\lambda/\Delta T$		0.5		nm/°C
Rise/ Fall time	Tr/Tf(I <sub>th</sub> +30mA)		50		ps
Band width	BW		8.5		GHZ
Monitoring Output Current	I <sub>m</sub> (I <sub>th</sub> +30mA)	0.05	1		mA
Monitor Dark current	I <sub>d</sub> (V <sub>r</sub> =5V)			100	nA
Monitor Capacitance	C (V <sub>r</sub> =5V)		10		pF
Optical Isolation(note1)	Iso	30			dB Single
		50			dB Double
package	Hermetic package TO56 Can with receptacle or with fiber coupling				

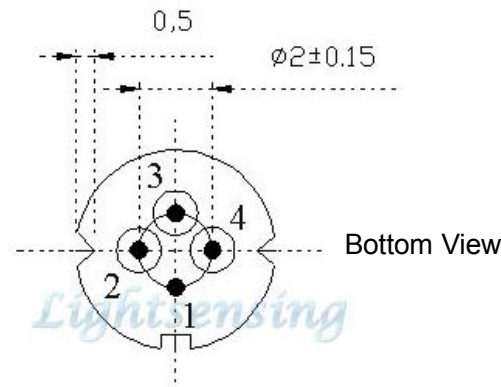
Note1: temperature range:-20~70°C

NOTICE: The above product specifications are subject to change without notice.

### The package Dimensions



### PIN description



### PIN OUT

	F type	S type
1	LD(+)/case	case
2	LD(-)	LD(-)
3	PD(-)	PD(+)
4	PD(+)	LD(+)/PD(-)

### Order information

LSFLD131-10G-X-X-X-X

mW

X=1

Other

Pin out

X=S S Type

X=F F Type

Isolator

X=0 NO

X=1 Single

X=2 Double

X=a

X=b

X=cJKST

X=dJKFC

X=e JKFC

X=f JKFC

X=Other

a package with SM Fiber or PM Fiber with FC/UPC or FC/APC

b package with SM Fiber or PM Fiber with FC/UPC or FC/APC

c package with ST receptacle

d package with FC receptacle

e package with FC receptacle

f package with FC receptacle

By customer's request

### The cautions

1: The above product specifications are subject to change without notice.

2: The suitable ESD protecting measures are recommend in storage,transporting and using.

3: The fiber bending radius no less than 20mm for avoiding fiber damaged ,Be sure the fiber coupling facet is clean before connecting it to opto-circuit.