

3.2mm Silicon PIN photodiode

Version: 3.1 17-06-01

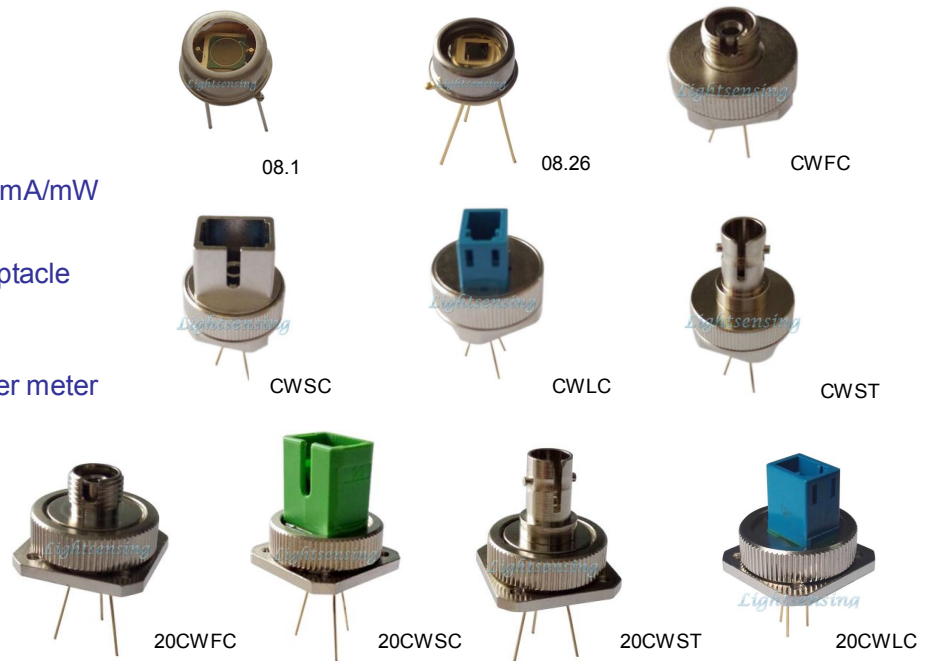
Model: LSSPD-3.2

Features:

- High reliability, low dark current
- 400-1100nm spectral range
- 1064nm responsivity up to 0.32mA/mW
- Active diameter 3.2x3.2mm
- Hermetic TO5 Can or with receptacle

Applications:

- Optical sensor and Optical power meter
- Industrial automatic control
- IR/ Laser light Monitoring
- Fluorescence detector
- Medical equipment
- Spectrophotometry/CT scan



Absolute maximum ratings:

parameter	symbol	value	unit
Operating temperature	Top	-40~+85	°C
Storage temperature	Tstg	-40~+100	°C
Forward current	I _f	16	mA
Reverse voltage	V _r	20	V
Soldering temperature(time)	T _s (10s)	260	°C

Electrical and optical characteristics:(T=25°C)

parameter	symbol	unit	Value (typ.)
Active diameter	Φ	mm	3.2x3.2
Spectral range	λ	nm	400-1100
Responsivity	Re(V _R =5V,λ=405nm)	mA/mW	0.03
	Re(V _R =5V,λ=650nm)	mA/mW	0.35
	Re(V _R =5V,λ=850nm)	mA/mW	0.55
	Re(V _R =5V,λ=1064nm)	mA/mW	0.32
Response time	T _r (R _L =50Ω, V _R =5V)	ns	6
Dark current	I _d (V _R =0V)	PA	5
	I _d (V _R =5V)	PA	400
Reverse Breakdown voltage	V _{BR} (I _R =10uA)	V	60
Junction capacitance	C _j (f=1MHz, V _R =0V)	pF	110
	C _j (f=1MHz, V _R =5V)	pF	25
Saturated Optical Power	P _s (V _R =5V)	mW	25
Operating voltage	V _R	V	0-15V
Shunt resistance	R _{sh} (V _R =10mV)	GΩ	2
package	Hermetic TO5 Can or with receptacle		

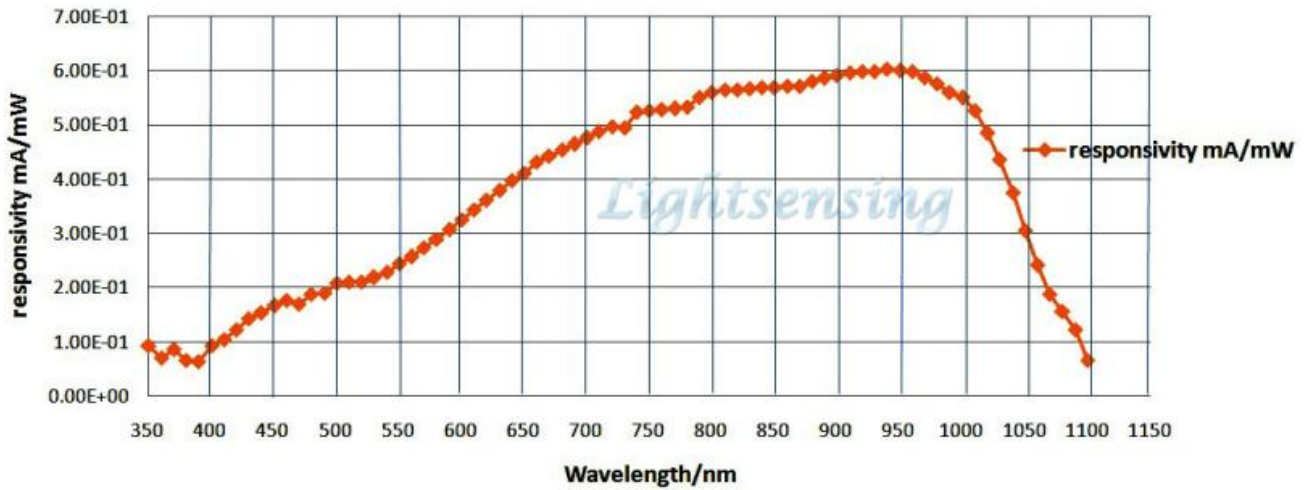
NOTICE: The above product specifications are subject to change without notice.

地址: 北京市海淀区苏州街12号西屋国际E座1201 邮编: 100080

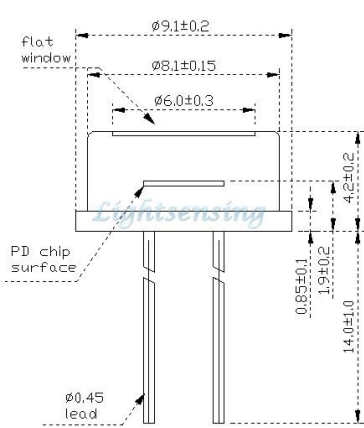
Address: Building E Rm 1201, Westing house, No 12 Suzhou Street,, Haidian District, Beijing 100080, China.

TEL: +86-010-82873449 FAX: +86-010-62557230 Email: info@lightsensing.com Website: www.lightsensing.com

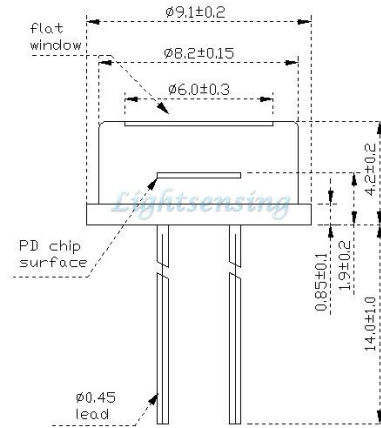
The typical Responsivity curve



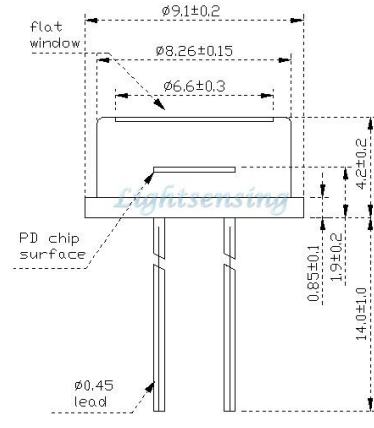
TO package and Lead



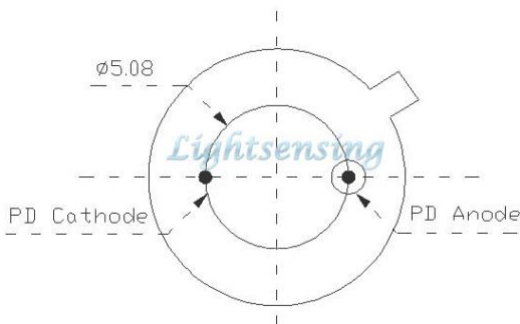
flat window 2 PIN 8.1mm TO
Model: 08.1



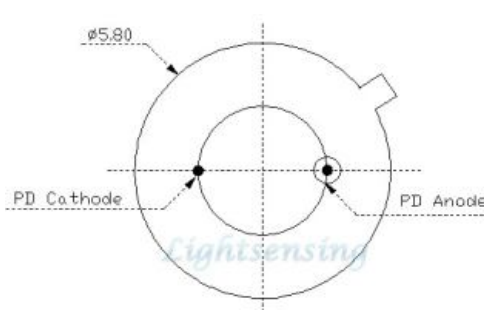
flat window 2 PIN 8.20mm TO
Model: 08.20



flat window 2 PIN 8.26mm TO
Model: 08.26



2PIN Bottom View



B type 2PIN Bottom View

Note: In order to get other dimensions, please contact us.

Order information

LSSPD-3.2-X-X

X=2P 2 PIN out
X=B2P B type 2 PIN out

X=08.1	TO-5 Can with flat window Φ 8.1mm nickel cap
X=08.20	TO-5 Can with flat window Φ 8.20mm nickel cap
X=08.26	TO-5 Can with flat window Φ 8.26mm nickel cap
X=CWFC	TO-5 Can with replaceable receptacle with FC connector
X=CWSC	TO-5 Can with replaceable receptacle with SC connector
X=CWLC	TO-5 Can with replaceable receptacle with LC connector
X=CWST	TO-5 Can with replaceable receptacle with ST connector
X=20CWFC	TO-5 Can with 20mm replaceable receptacle with FC connector
X=20CWSC	TO-5 Can with 20mm replaceable receptacle with SC connector
X=20CWST	TO-5 Can with 20mm replaceable receptacle with ST connector
X=20CWLC	TO-5 Can with 20mm replaceable receptacle with LC connector
X=Other	By customer's request. Example, We can provide photodiode with filter

The cautions

- 1: The above product specifications are subject to change without notice.
- 2: The suitable ESD protection is required in storage, transportation and using