

1310nm FP Pulse 110mW coaxial laser diode

Version: sample 19-03-02

Model: LSPLD131-OT-110

Features:

- MQW F-P LD,
- Low threshold
- High output power
- High reliable
- Hermetic TO56 can with receptacle or With fiber coupling



Applications:

- Optical Sensing
- OTDR
- Industrial automatic control
- Science analysis and experiment
- Test and Measurement Equipment
- Laser range finder

Absolute maximum ratings:

parameter	symbol	value	unit
Operating temperature	Top	-40~+85	°C
Storage temperature	Tstg	-40~+100	°C
Pulsed Forward Current	If	700	mA
Laser diode Reverse voltage	V _r	2	V
Soldering temperature/time		260/10	°C/S

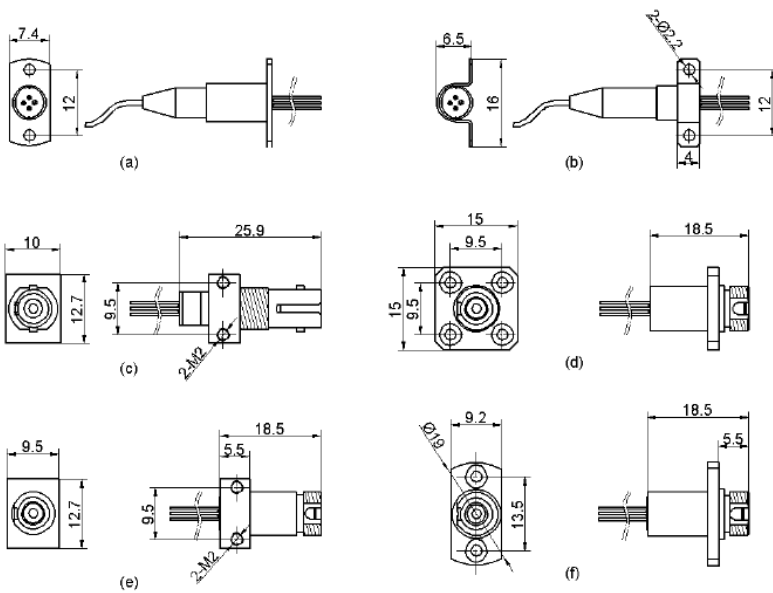
Electrical and optical characteristics:(T=25°C)

parameter	symbol	Min.	Typ.	Max.	unit
Center wavelength	λ	1290	1310	1330	nm
Threshold Current	I _{th}		20	40	mA
Pulse Operating Current	I _{op}		450	500	mA
Spectral width	$\Delta\lambda$		7		nm
Rise time/fall time	Tr/Tf		0.5	2	ns
Operating Voltage	V _{op}		2.5	4	V
Light output peak power(from 9um SM fiber)	P _o (pulse)	90	110		mW
Monitor PD Output Peak Current(10mW)	I _m	0.02	0.5		mA
Monitor PD Dark current	I _d			100	nA
Monitor PD Capacitance	C(V _r =5V)		10		pF
package	Hermetic TO56 can with receptacle or With fiber coupling				

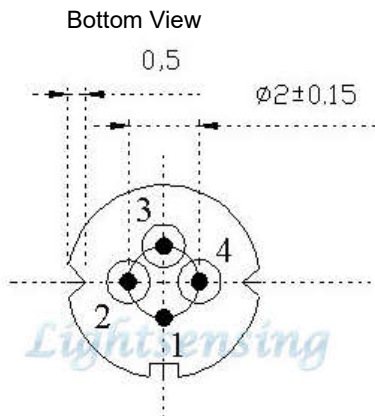
Note: All above values are for operation @ 25°C. If not otherwise stated, the characteristics are for operation under pulse current (pulse width = 10us and duty cycle 1%).

NOTICE: The above product specifications are subject to change without notice.

The package Dimensions



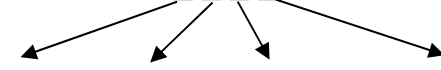
PIN description



PIN	S Type
1	Case
2	LD Cathode
3	PD anode
4	LD anode/PD Cathode

Order information

LSPLD131-OT-X-X-X-X



mW	PIN out	Isolator	X=a	
X=110	S=S Type	X=0 NO	X=b	a package with SM Fiber coupling with FC/UPC or FC/APC connector
X=other		X=1 Single	X=c	b package with SM Fiber coupling with FC/UPC or FC/APC connector
		X=2 Double	X=d	c package with ST receptacle
			X=e	d package with FC receptacle
			X=f	e package with FC receptacle
			X=Other	f package with FC receptacle
				By customer's request

The cautions

- 1: The above product specifications are subject to change without notice.
- 2: The suitable ESD protection is required in storage, transportation and using
- 3: The fiber bending radius no less than 20mm for avoiding fiber damaged ,Be sure the fiber coupling facet is clean before connecting it to opto-circuit.